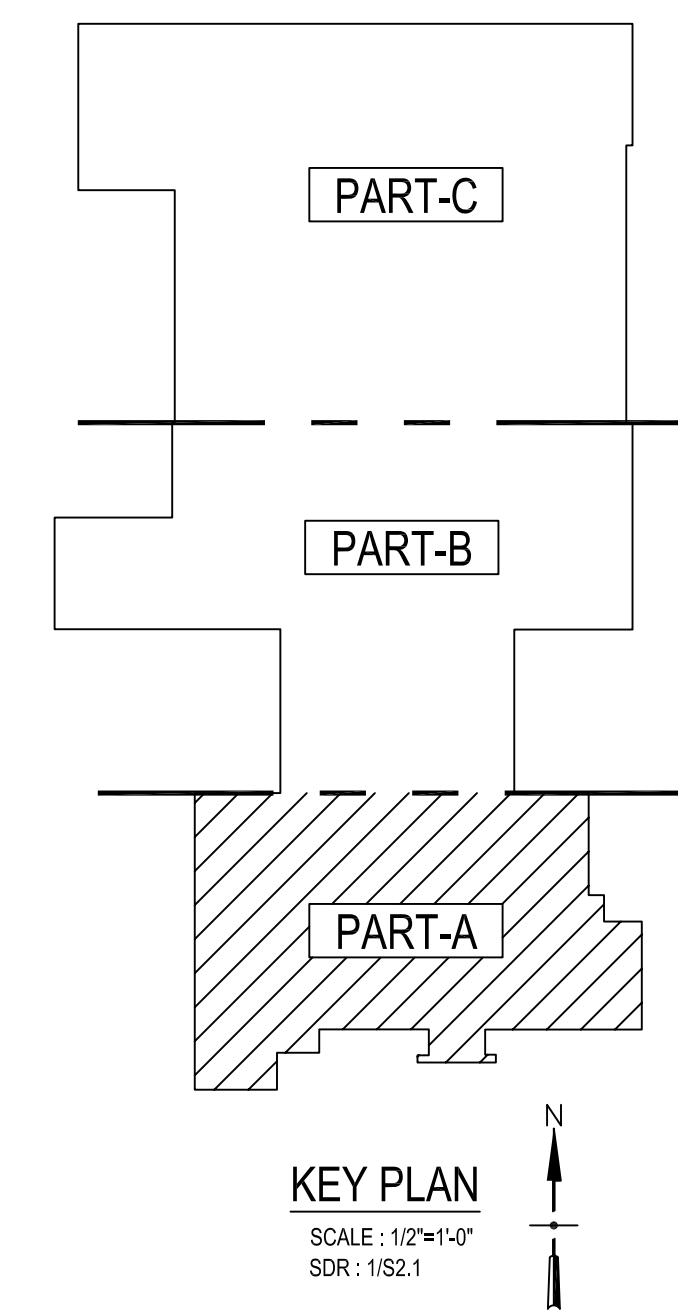
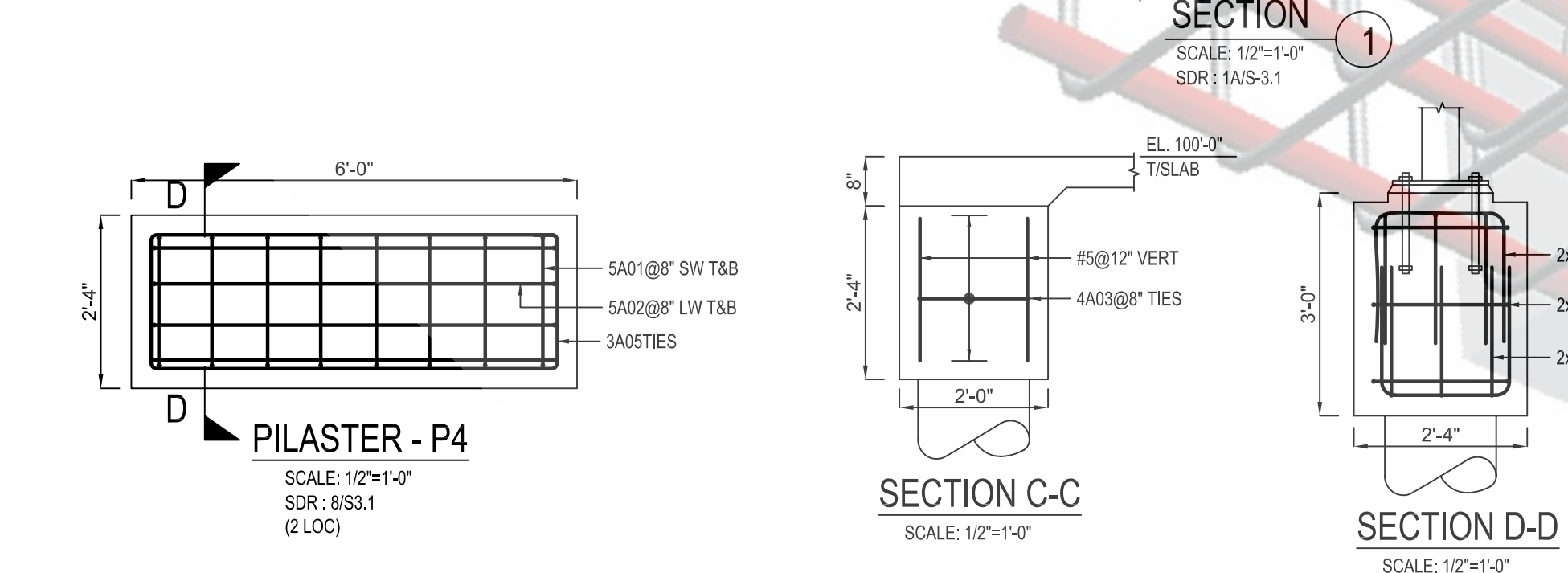
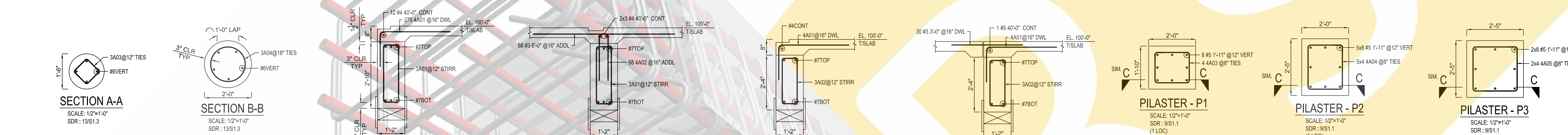
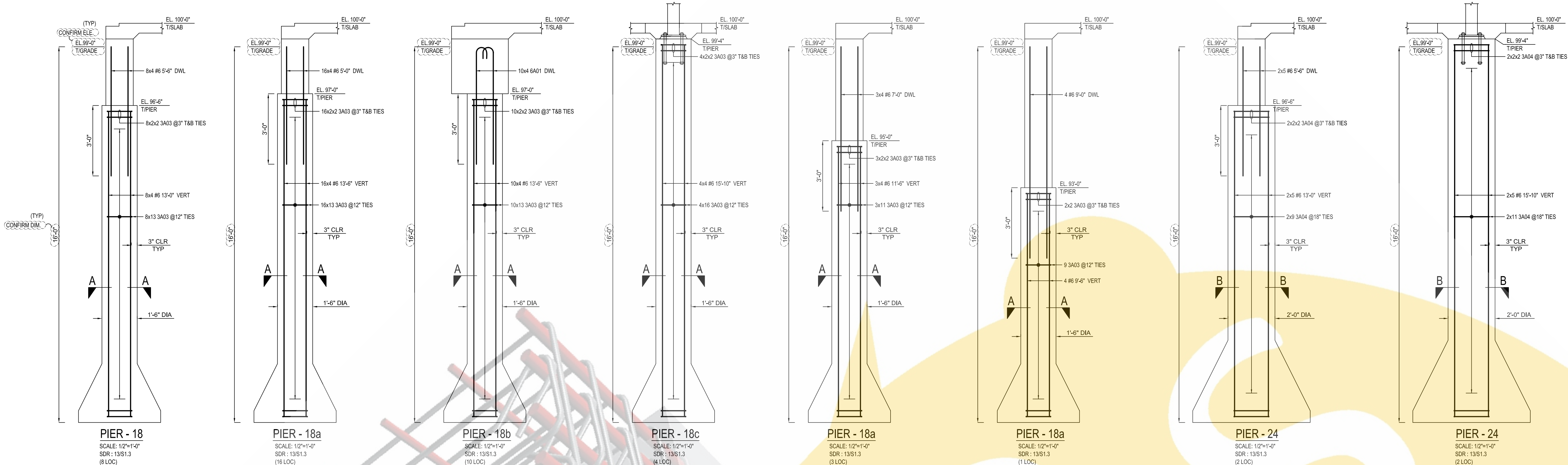


PART-A FOUNDATION REBAR LAYOUT
 SCALE: 1/8"=1'-0"
 SDR: 1/52.1



ONCE REBAR SERVICES



LAP SCHEDULE

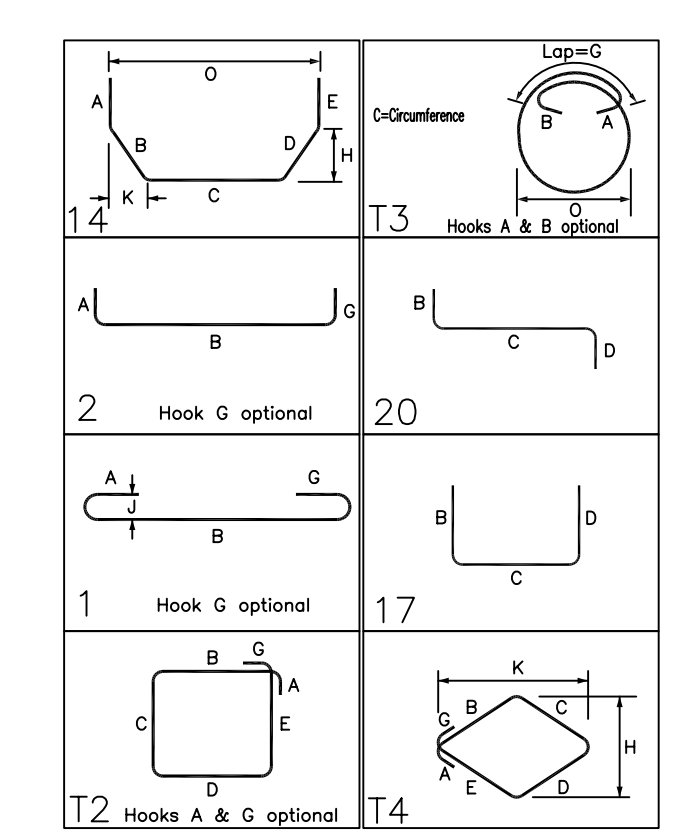
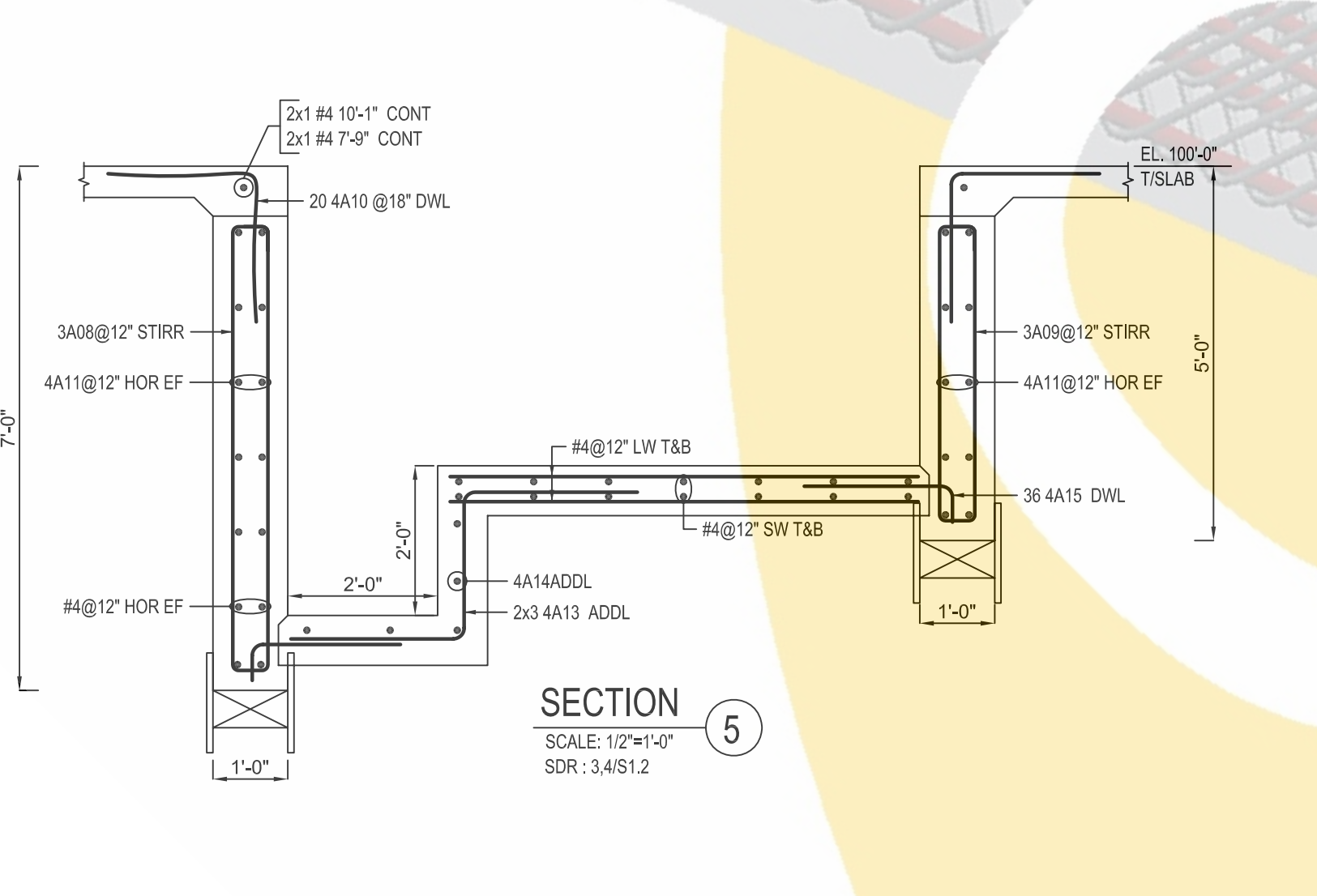
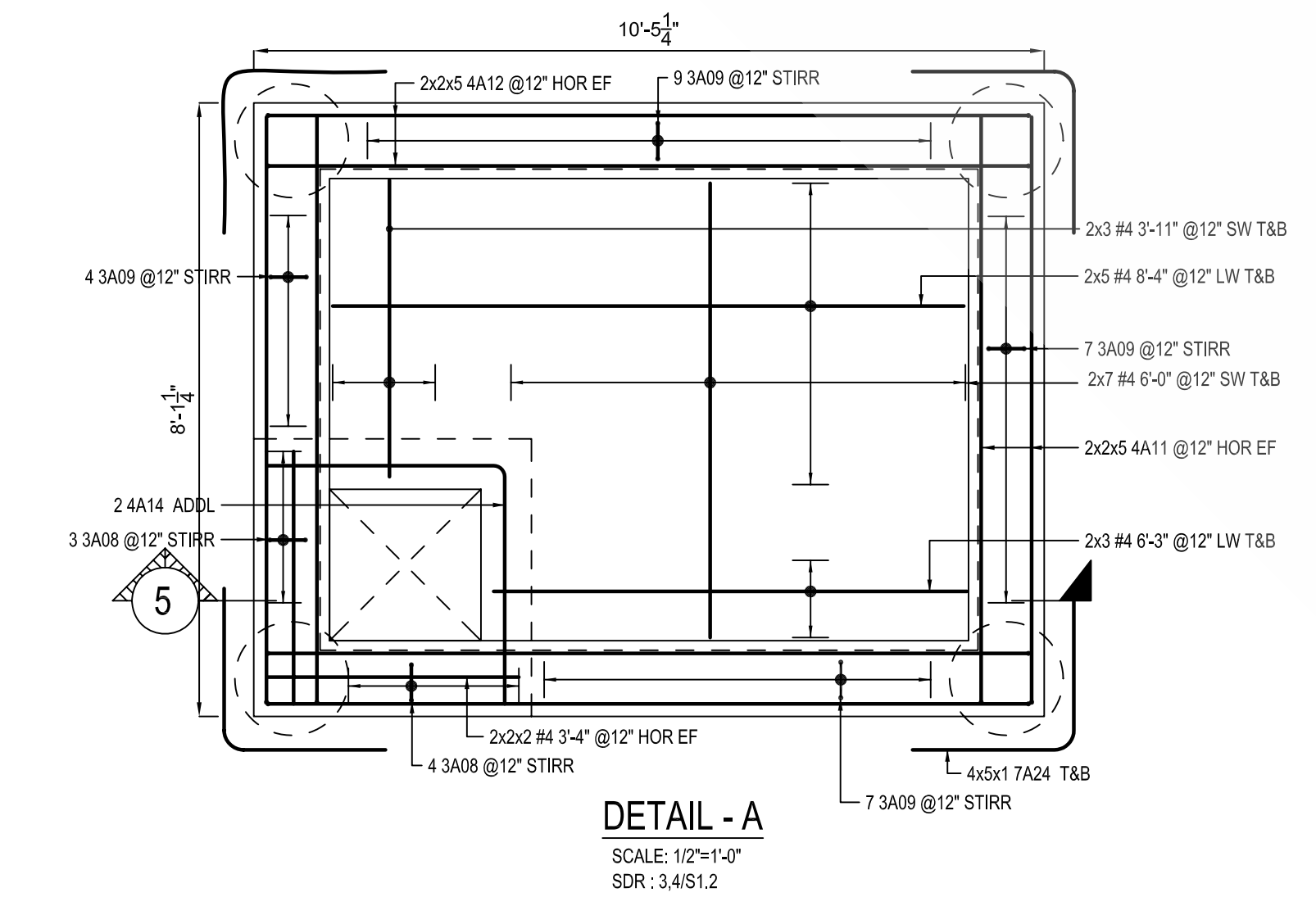
BAR DIA	36 BAR DIA
#3	1'-2"
#4	1'-6"
#5	1'-11"
#6	2'-3"
#7	2'-8"
#8	3'-0"
#9	3'-5"

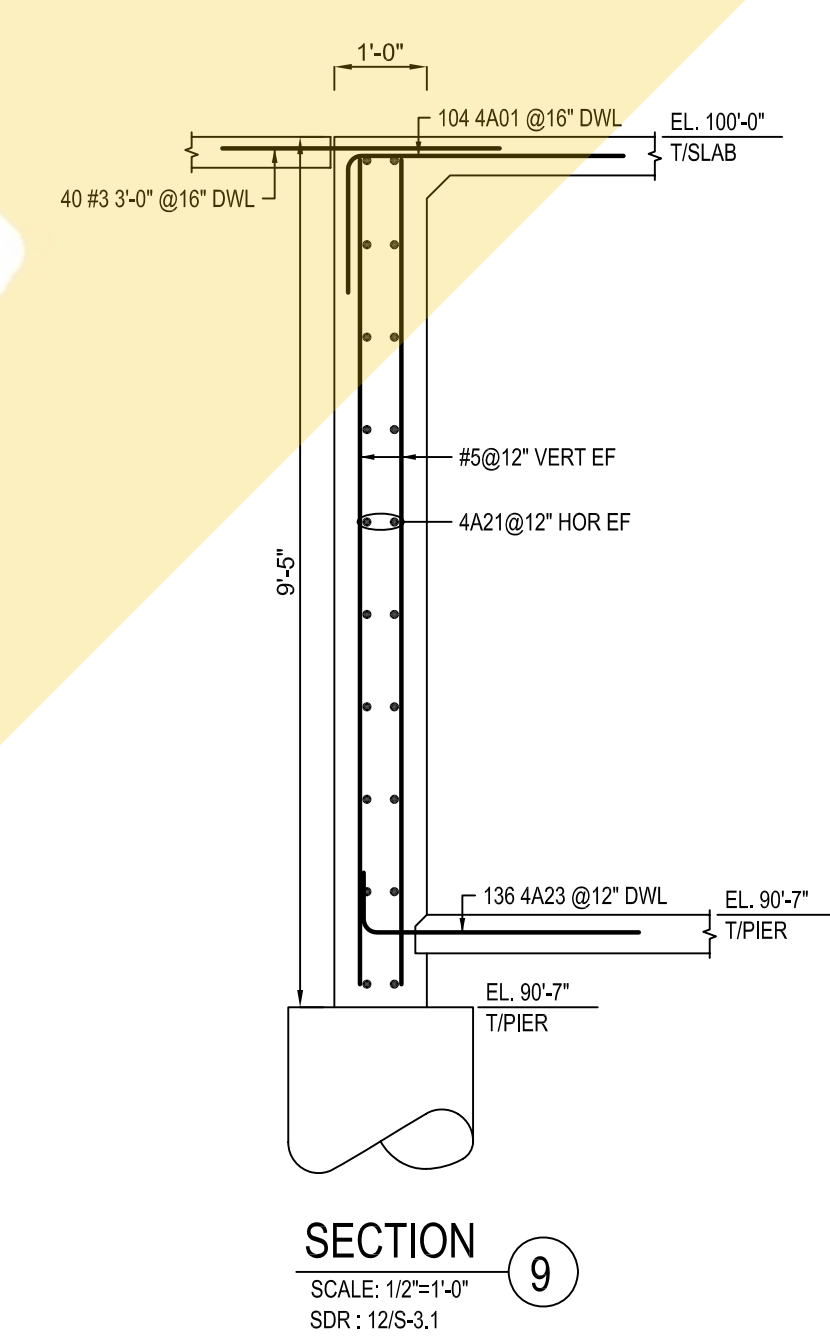
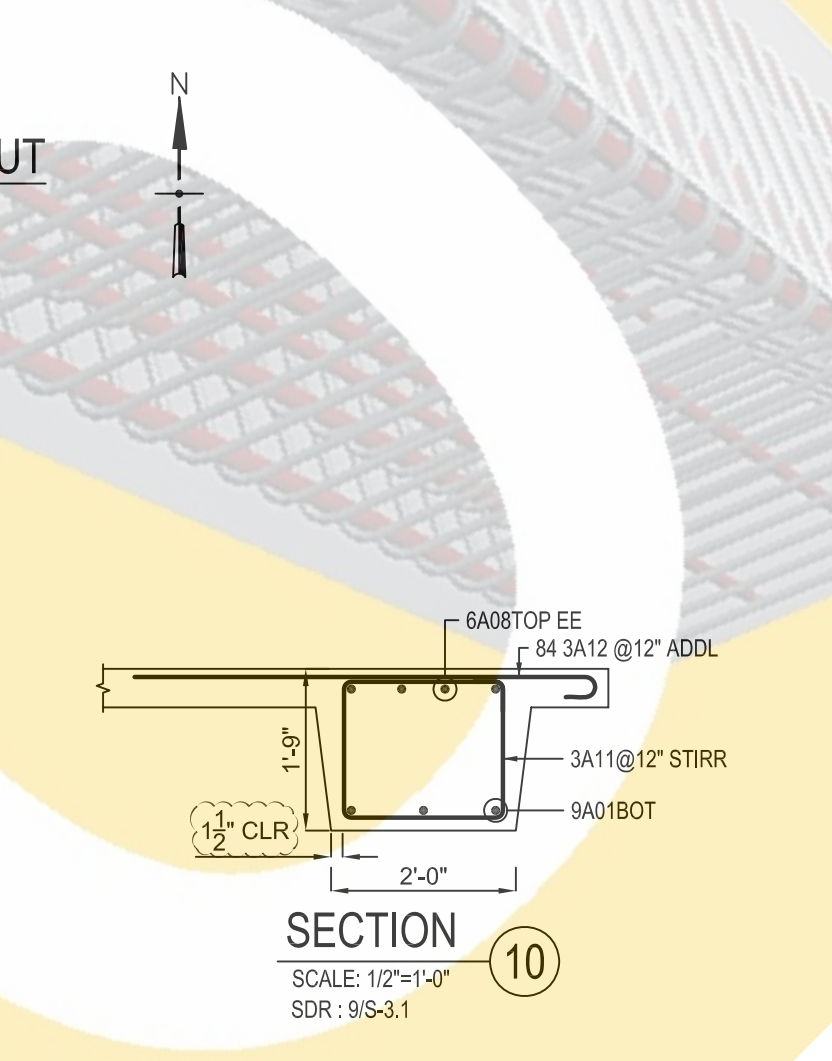
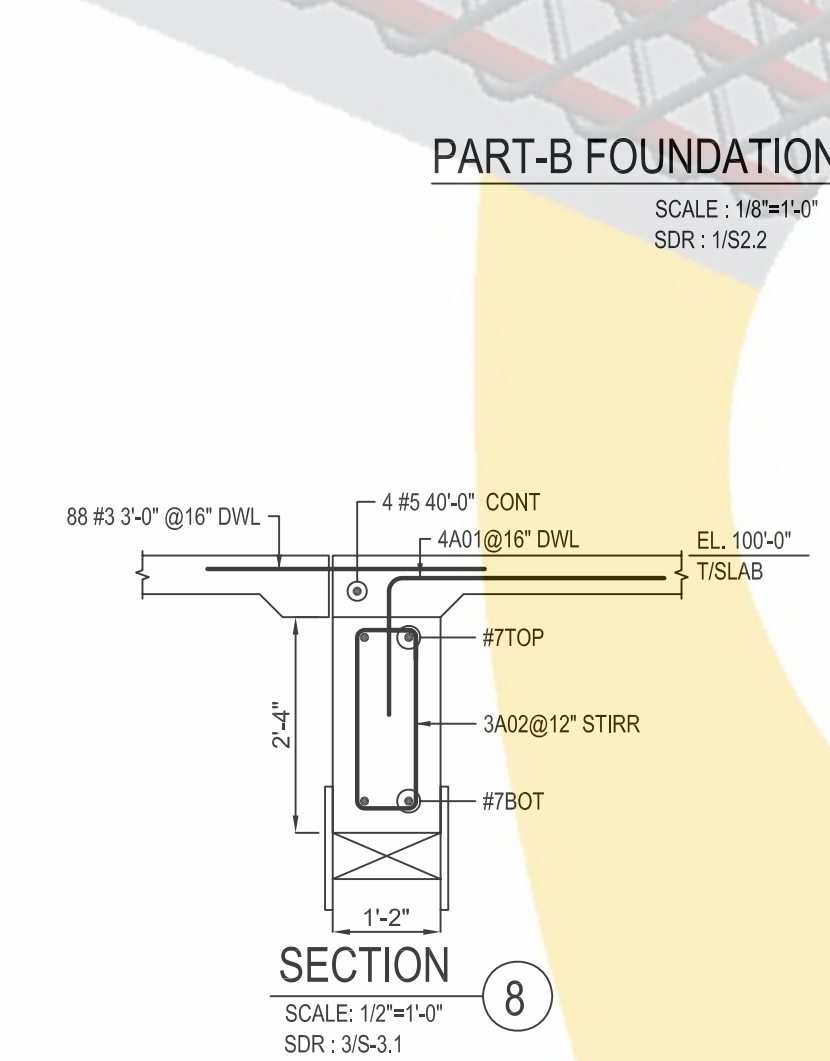
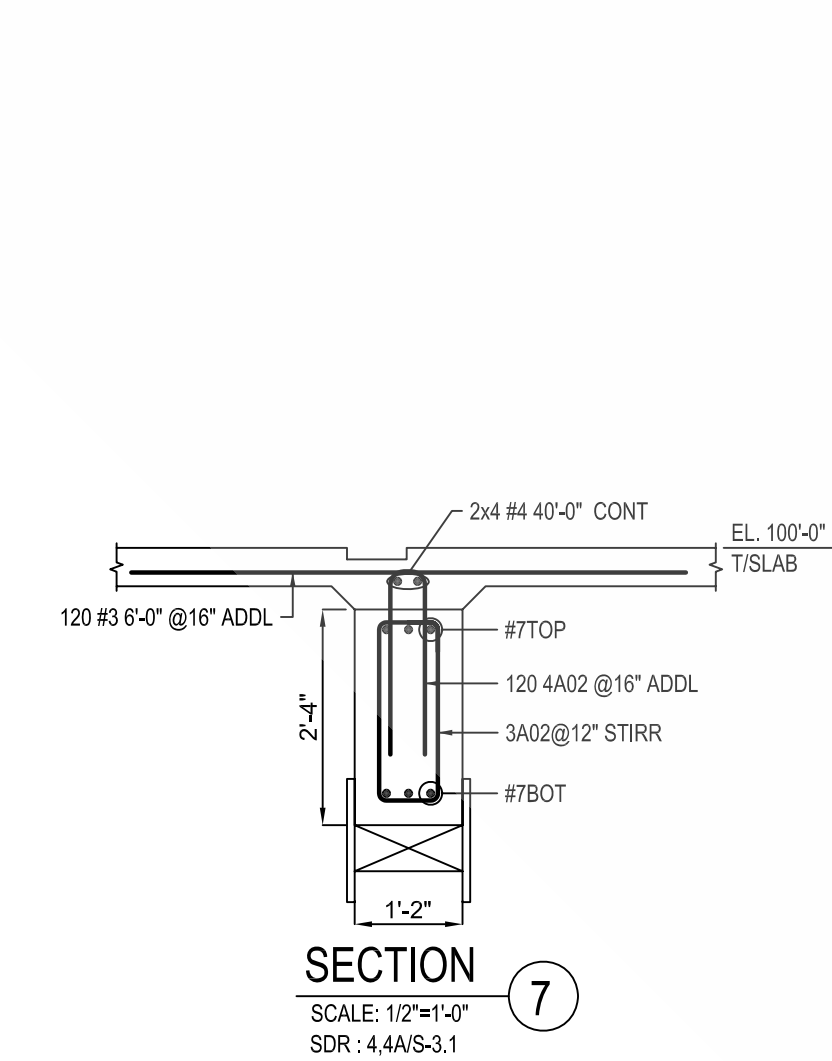
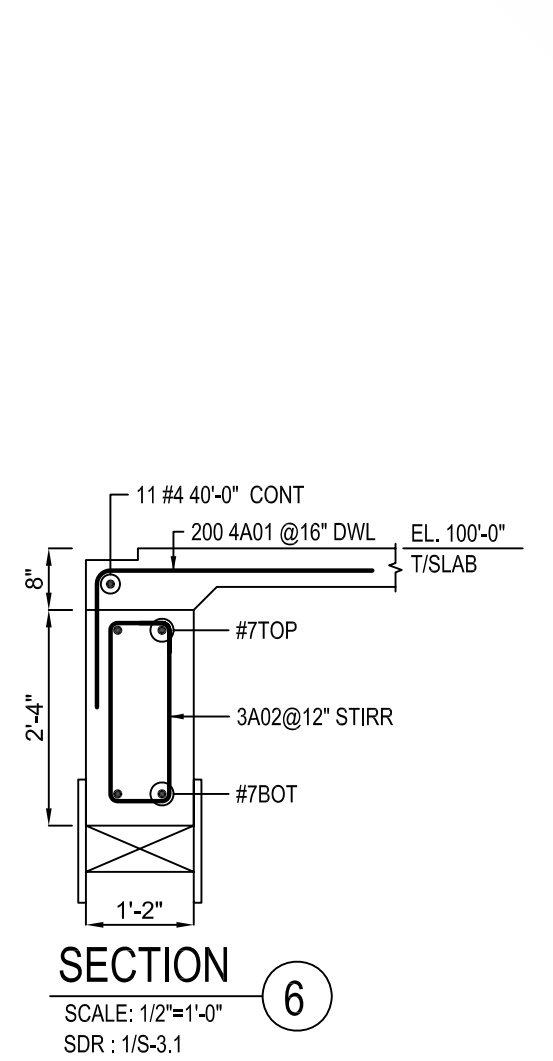
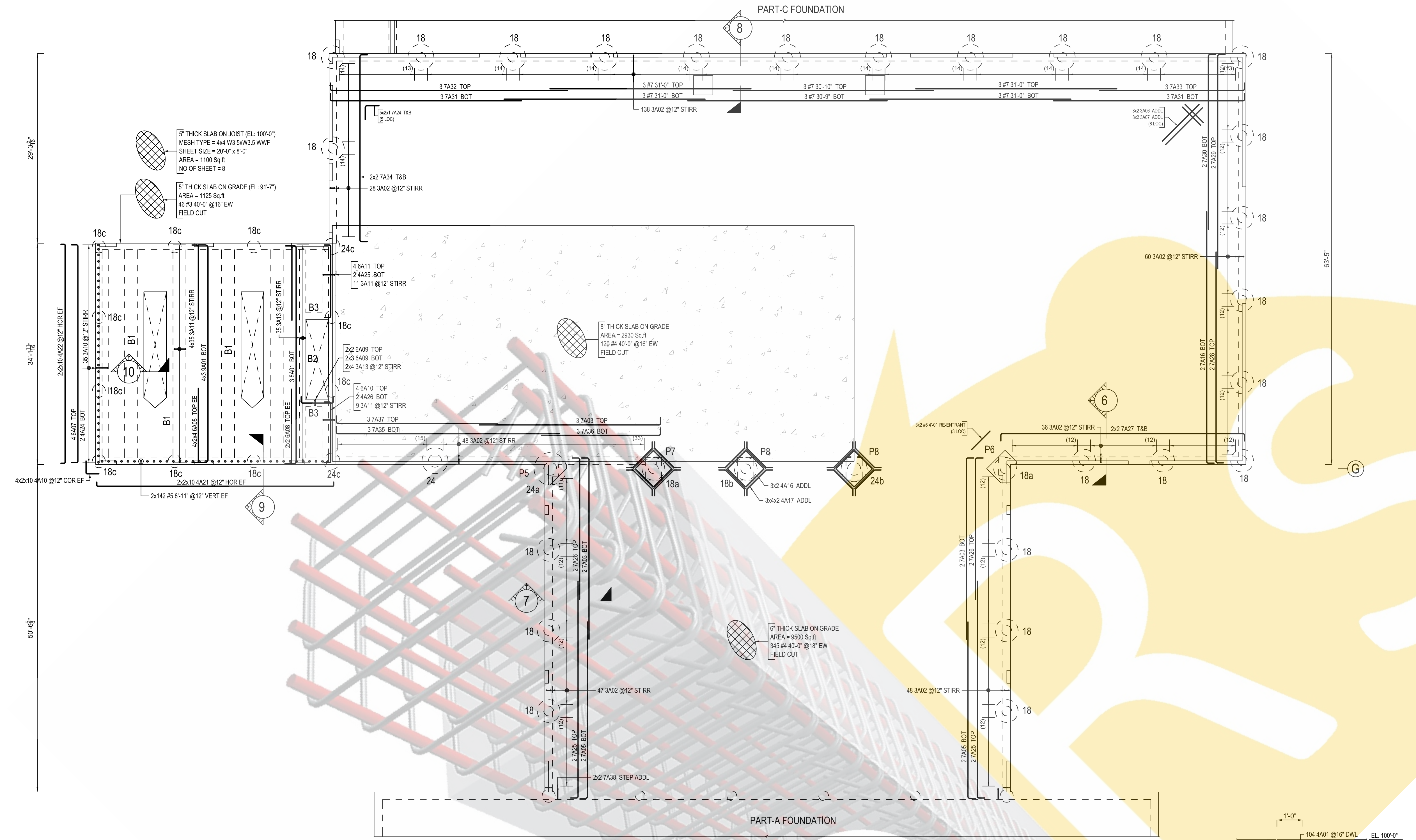
LAP SCHEDULE

BAR DIA	30 BAR DIA
#3	0'-11"
#4	1'-3"
#5	1'-6"
#6	1'-10"
#7	2'-2"
#8	2'-6"
#9	2'-10"

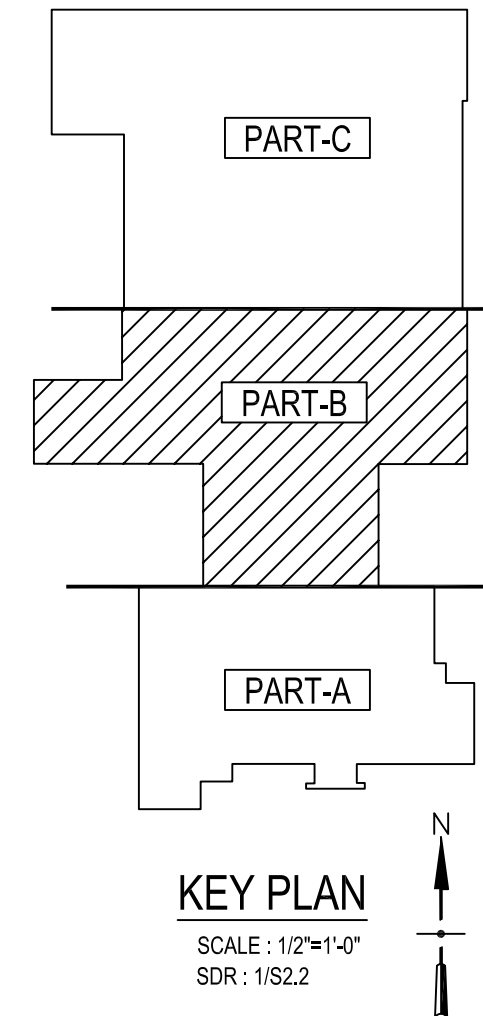
Release Number: R1.01-R1.02

Bar Mark	Qty	Size	Total Length	Type	X'	Y'	Z'	W'	V'	U'	T'	S'	R'	Q'	P'	O'	N'	M'	L'	K'	J'	I'	H'	G'	F'	E'	D'	C'	B'	A'	
3A01	131	#3	6'-11"	T2	0'-4"	0'-8"	2'-3"	0'-8"	2'-5"	0'-8"	2'-5"	0'-4"	0'-4"	0'-4"	0'-4"	0'-4"	0'-4"	0'-4"	0'-4"	0'-4"	0'-4"	0'-4"	0'-4"	0'-4"	0'-4"	0'-4"	0'-4"	0'-4"	0'-4"	0'-4"	0'-4"

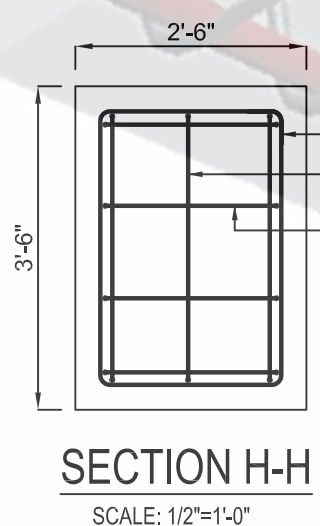
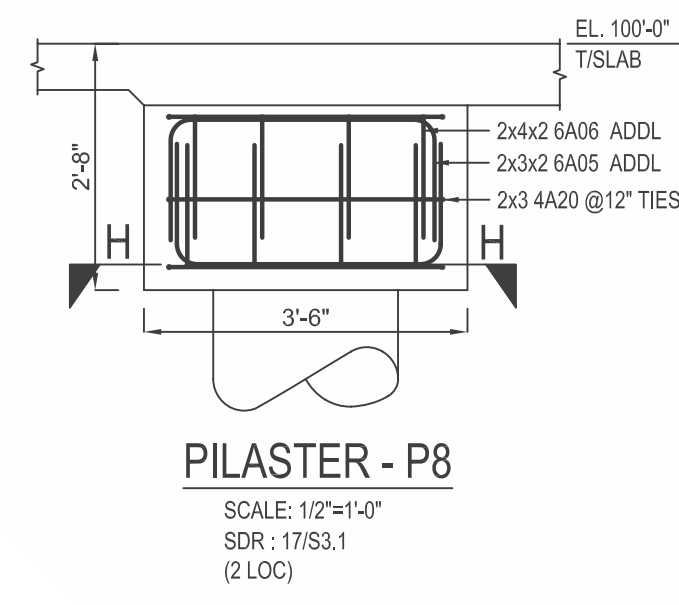
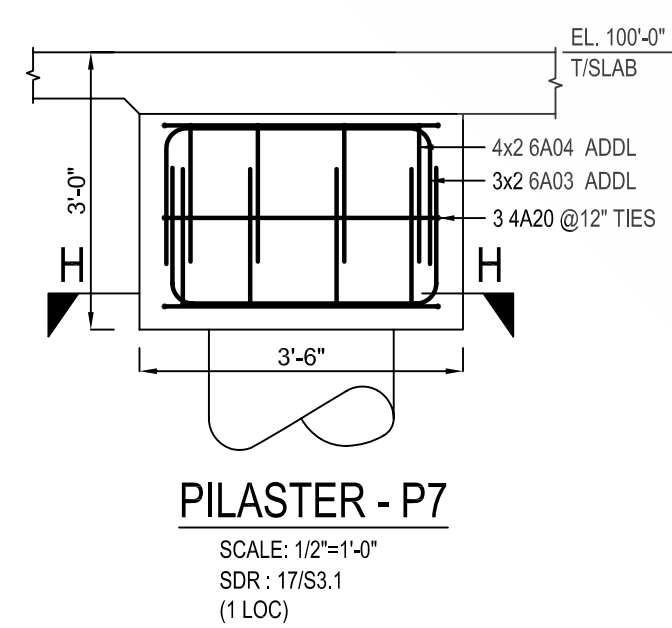
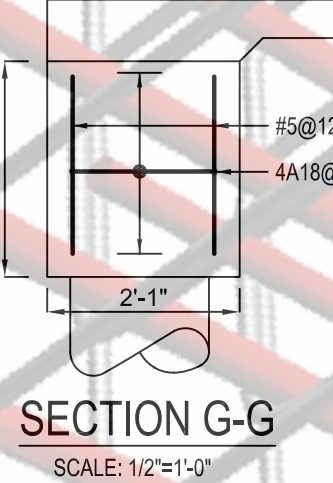
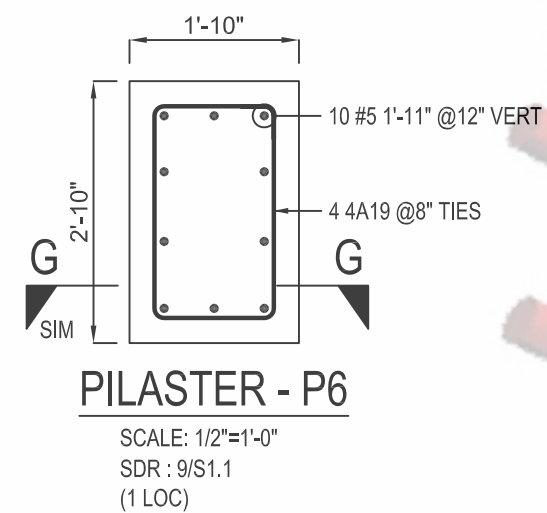
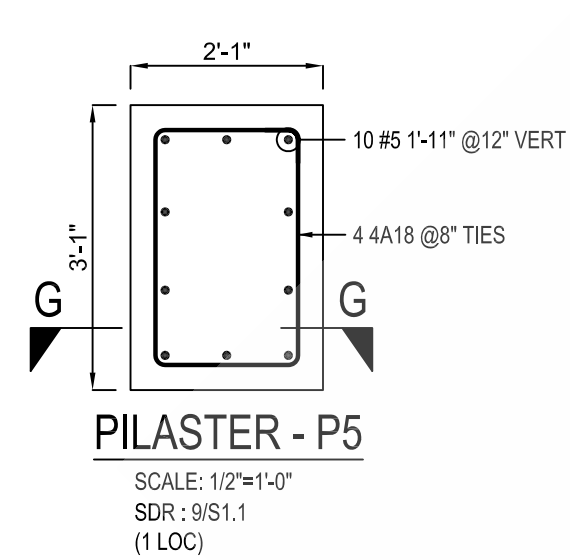
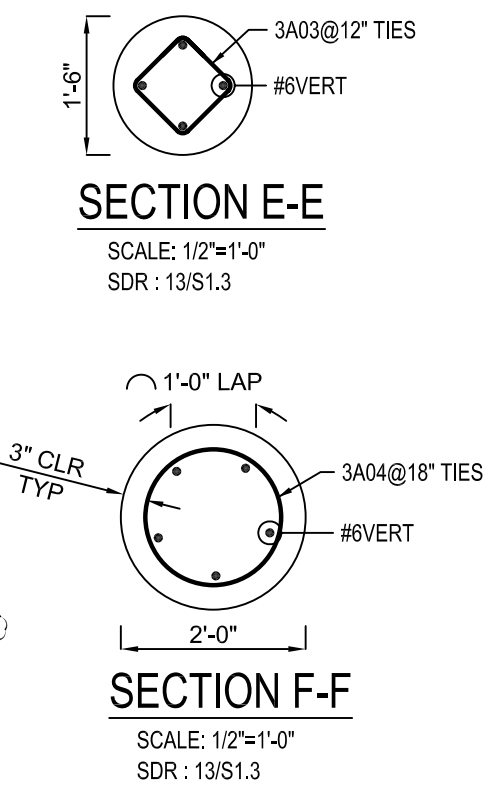
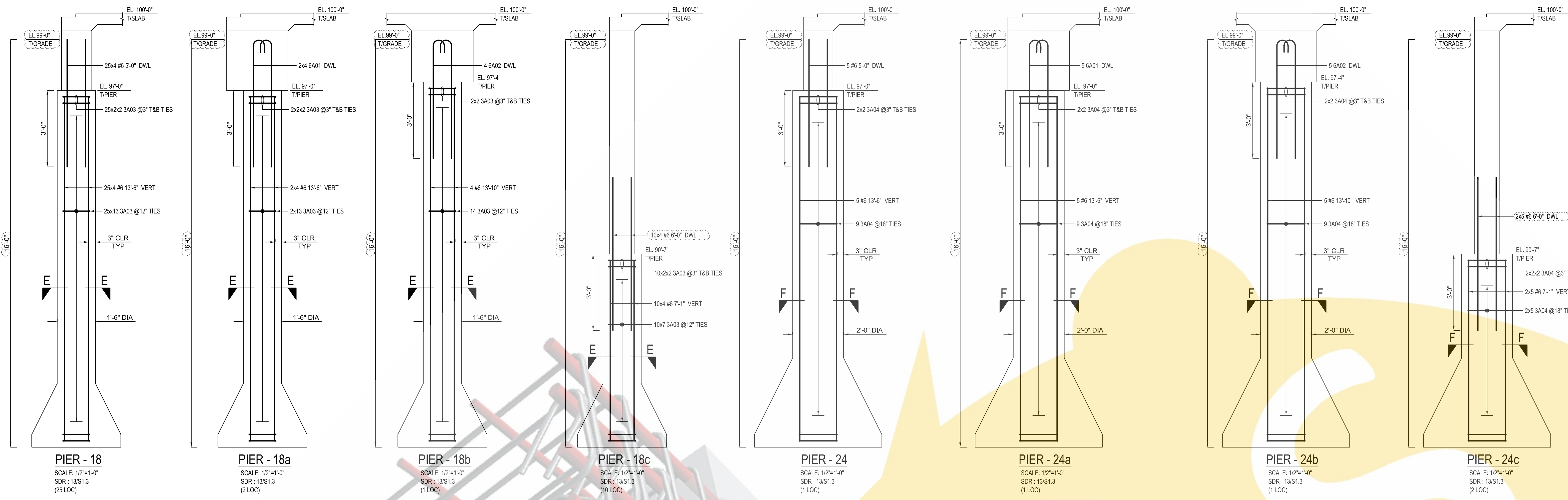




PART-B FOUNDATION REBAR LAYOUT
 SCALE: 1/8"=1'-0"
 SDR: 1/52.2



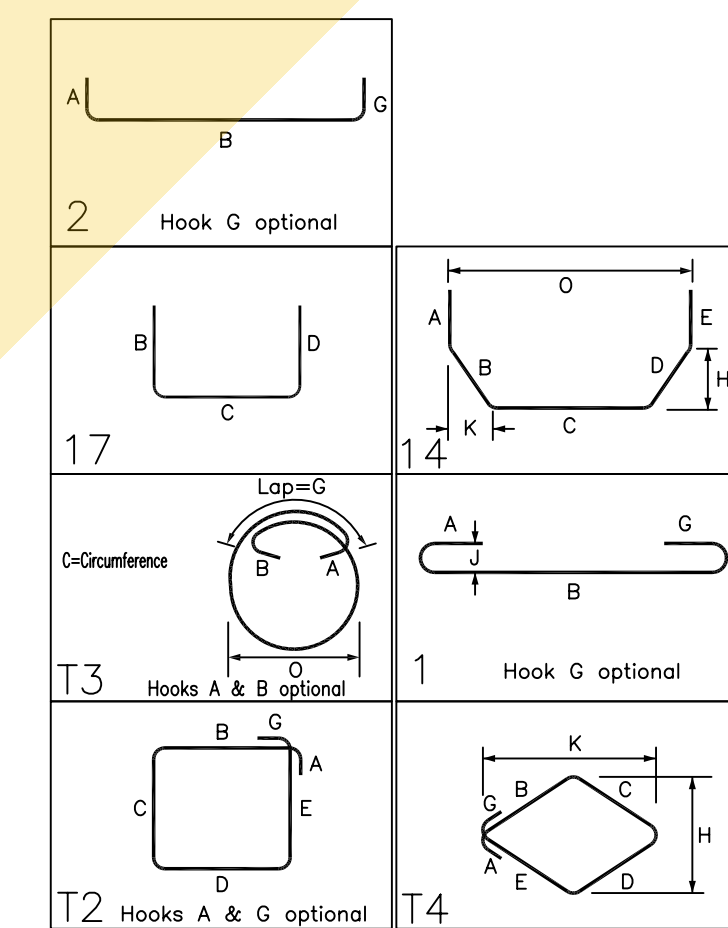
ONCE REBAR SERVICES



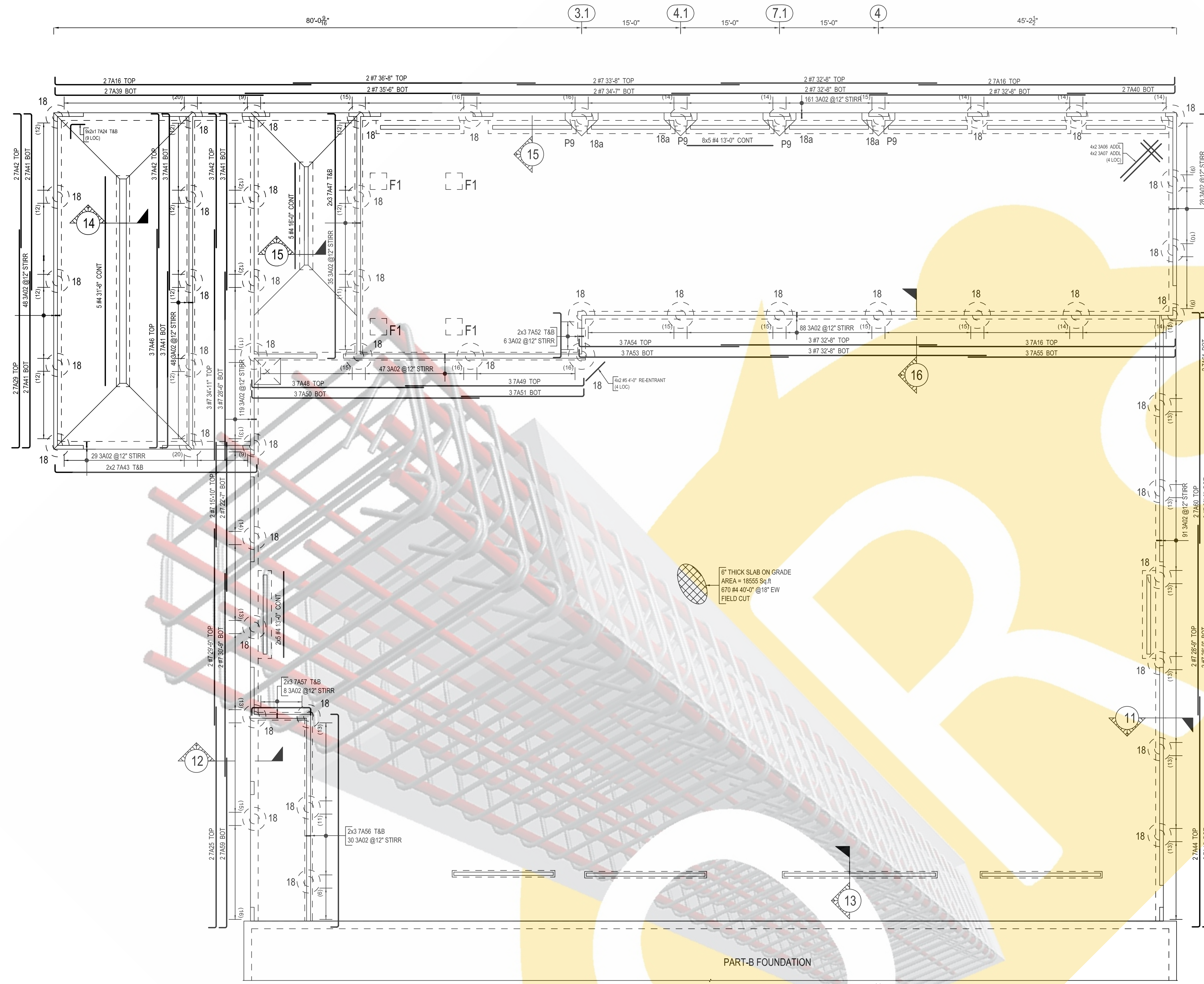
BENDING DETAILS																
Bar Mark	Qty	Size	Total Length	Type	'x'	'y'	'z'	'w'	'v'	'u'	't'	's'	'r'	'q'	'p'	'o'
3A02	405	#3	5'-11"	T2	0'-4"	0'-8"	1'-11"	0'-8"	1'-11"	0'-8"	1'-11"	0'-8"	1'-11"	0'-8"	1'-11"	0'-8"
3A03	587	#3	3'-10"	T4	0'-4"	0'-9"	0'-9"	0'-9"	0'-9"	0'-9"	0'-9"	0'-9"	0'-9"	0'-9"	0'-9"	0'-9"
3A04	57	#3	5'-8"	T3	0'-4"	0'-8"	1'-11"	0'-8"	1'-11"	0'-8"	1'-11"	0'-8"	1'-11"	0'-8"	1'-11"	0'-8"
3A06	16	#3	4'-10"	1	0'-5"	4'-0"								0'-5"	0'-3"	1'-6"
3A07	16	#3	8'-5"	1	0'-5"	8'-0"								0'-5"	0'-3"	1'-6"
3A10	35	#3	6'-10"	T2	0'-4"	1'-8"	1'-4"	1'-8"	1'-4"	1'-8"	1'-4"	1'-8"	1'-4"	1'-8"	1'-4"	1'-8"
3A11	160	#3	7'-2"	T2	0'-4"	1'-0"	1'-6"	1'-0"	1'-6"	1'-0"	1'-6"	1'-0"	1'-6"	1'-0"	1'-6"	1'-0"
3A12	84	#3	5'-5"	1	0'-5"	5'-0"								0'-5"	0'-3"	1'-6"
3A13	43	#3	5'-2"	T2	0'-4"	0'-9"	1'-6"	0'-9"	1'-6"	0'-9"	1'-6"	0'-9"	1'-6"	0'-9"	1'-6"	0'-9"
4A01	304	#4	4'-6"	T2	0'-4"	3'-0"	1'-6"	3'-0"	1'-6"	3'-0"	1'-6"	3'-0"	1'-6"	3'-0"	1'-6"	3'-0"
4A02	120	#4	4'-5"	T2	0'-4"	2'-0"	0'-5"	2'-0"	0'-5"	2'-0"	0'-5"	2'-0"	0'-5"	2'-0"	0'-5"	2'-0"
4A10	80	#4	4'-0"	T2	0'-4"	2'-0"	2'-0"	2'-0"	2'-0"	2'-0"	2'-0"	2'-0"	2'-0"	2'-0"	2'-0"	2'-0"
4A16	6	#4	16'-10"	T2	0'-4"	4'-0"	4'-0"	4'-0"	4'-0"	4'-0"	4'-0"	4'-0"	4'-0"	4'-0"	4'-0"	4'-0"
4A17	24	#4	6'-2"	T4	1'-0"	4'-2"	1'-0"							1'-0"		
4A18	4	#4	9'-1"	T2	0'-4"	1'-7"	2'-7"	1'-7"	2'-7"	1'-7"	2'-7"	1'-7"	2'-7"	1'-7"	2'-7"	1'-7"
4A19	4	#4	8'-1"	T2	0'-4"	1'-4"	2'-4"	1'-4"	2'-4"	1'-4"	2'-4"	1'-4"	2'-4"	1'-4"	2'-4"	1'-4"
4A20	9	#4	10'-9"	T2	0'-4"	2'-0"	3'-0"	2'-0"	3'-0"	2'-0"	3'-0"	2'-0"	3'-0"	2'-0"	3'-0"	2'-0"
4A21	40	#4	37'-11"	2	0'-8"	36'-7"								0'-8"		
4A22	40	#4	35'-2"	2	0'-8"	33'-10"								0'-8"		
4A23	136	#4	3'-8"	2	0'-8"	3'-0"								0'-8"		
4A24	2	#4	35'-0"	2	0'-8"	33'-8"								0'-8"		
4A25	2	#4	12'-7"	2	0'-8"	11'-5"								0'-8"		
4A26	2	#4	10'-9"	2	0'-8"	9'-5"								0'-8"		
6A01	13	#6	5'-8"	1	0'-8"	5'-0"								0'-8"	0'-6"	1'-6"
6A02	9	#6	5'-4"	1	0'-8"	4'-8"								0'-8"	0'-6"	1'-6"
6A03	6	#6	5'-11"	T2	1'-6"	2'-11"	1'-6"	2'-11"	1'-6"	2'-11"	1'-6"	2'-11"	1'-6"	2'-11"	1'-6"	2'-11"
6A04	8	#6	4'-11"	T2	1'-6"	1'-11"	1'-6"	1'-11"	1'-6"	1'-11"	1'-6"	1'-11"	1'-6"	1'-11"	1'-6"	1'-11"
6A05	12	#6	5'-7"	T2	1'-4"	2'-11"	1'-4"	2'-11"	1'-4"	2'-11"	1'-4"	2'-11"	1'-4"	2'-11"	1'-4"	2'-11"
6A06	16	#6	4'-7"	T2	1'-4"	1'-11"	1'-4"	1'-11"	1'-4"	1'-11"	1'-4"	1'-11"	1'-4"	1'-11"	1'-4"	1'-11"
6A07	4	#6	35'-8"	2	1'-0"	33'-8"								1'-0"		
6A08	36	#6	12'-6"	2	1'-0"	11'-6"								1'-0"		
6A09	10	#6	7'-0"	2	1'-0"	5'-0"								1'-0"		
6A10	4	#6	11'-5"	2	1'-0"	9'-5"								1'-0"		
6A11	4	#6	13'-3"	2	1'-0"	11'-3"								1'-0"		
7A03	7	#7	29'-2"	2	1'-2"	28'-0"								1'-2"		
7A05	4	#7	28'-5"	2	1'-2"	27'-3"								1'-2"		
7A16	2	#7	40'-0"	2	1'-2"	38'-10"								1'-2"		
7A24	10	#7	4'-4"	T2	2'-2"	2'-2"	2'-2"	2'-2"	2'-2"	2'-2"	2'-2"	2'-2"	2'-2"	2'-2"	2'-2"	2'-2"
7A25	4	#7	34'-8"	2	1'-2"	33'-6"								1'-2"		
7A26	4	#7	23'-0"	2	1'-2"	21'-10"								1'-2"		
7A27	4	#7	40'-0"	2	1'-2"	37'-8"								1'-2"		
7A28	2	#7	33'-9"	2	1'-2"	32'-7"								1'-2"		
7A29	2	#7	34'-3"	2	1'-2"	33'-1"								1'-2"		
7A30	2	#7	28'-2"	2	1'-2"	27'-0"								1'-2"		
7A31	6	#7	30'-8"	2	1'-2"	29'-6"								1'-2"		
7A32	3	#7	37'-9"	2	1'-2"	36'-7"								1'-2"		
7A33	3	#7	23'-7"	2	1'-2"	22'-5"								1'-2"		
7A34	4	#7	31'-3"	2	1'-2"	28'-11"								1'-2"		
7A35	3	#7	35'-7"	2	1'-2"	34'-5"								1'-2"		
7A36	3	#7	19'-7"	2	1'-2"	18'-5"								1'-2"		
7A37	3	#7	26'-0"	2	1'-2"	24'-10"								1'-2"		
7A38	4	#7	3'-10"	T2	1'-6"	1'-6"	2'-4"	1'-6"	2'-4"	1'-6"	2'-4"	1'-6"	2'-4"	1'-6"	2'-4"	1'-6"
8A01	3	#8	36'-10"	2	1'-7"	33'-8"								1'-7"		
9A01	12	#9	36'-10"	2	1'-7"	33'-8"								1'-7"		

LAP SCHEDULE	
BAR DIA	36 BAR DIA
#3	1'-2"
#4	1'-6"
#5	1'-11"
#6	2'-3"
#7	2'-8"
#8	3'-0"
#9	3'-5"

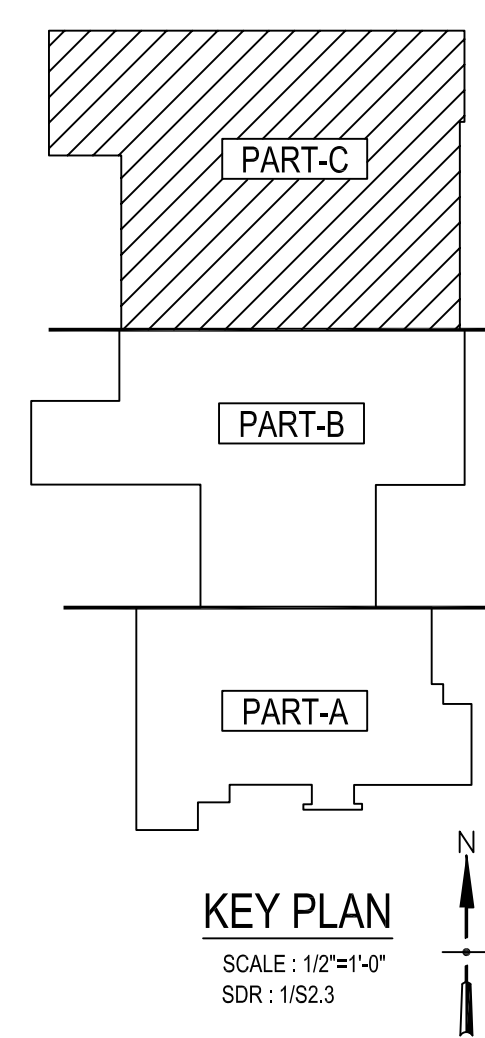
LAP SCHEDULE	
BAR DIA	30 BAR DIA
#3	0'-11"
#4	1'-3"
#5	1'-6"
#6	1'-10"
#7	2'-2"
#8	2'-6"
#9	2'-10"



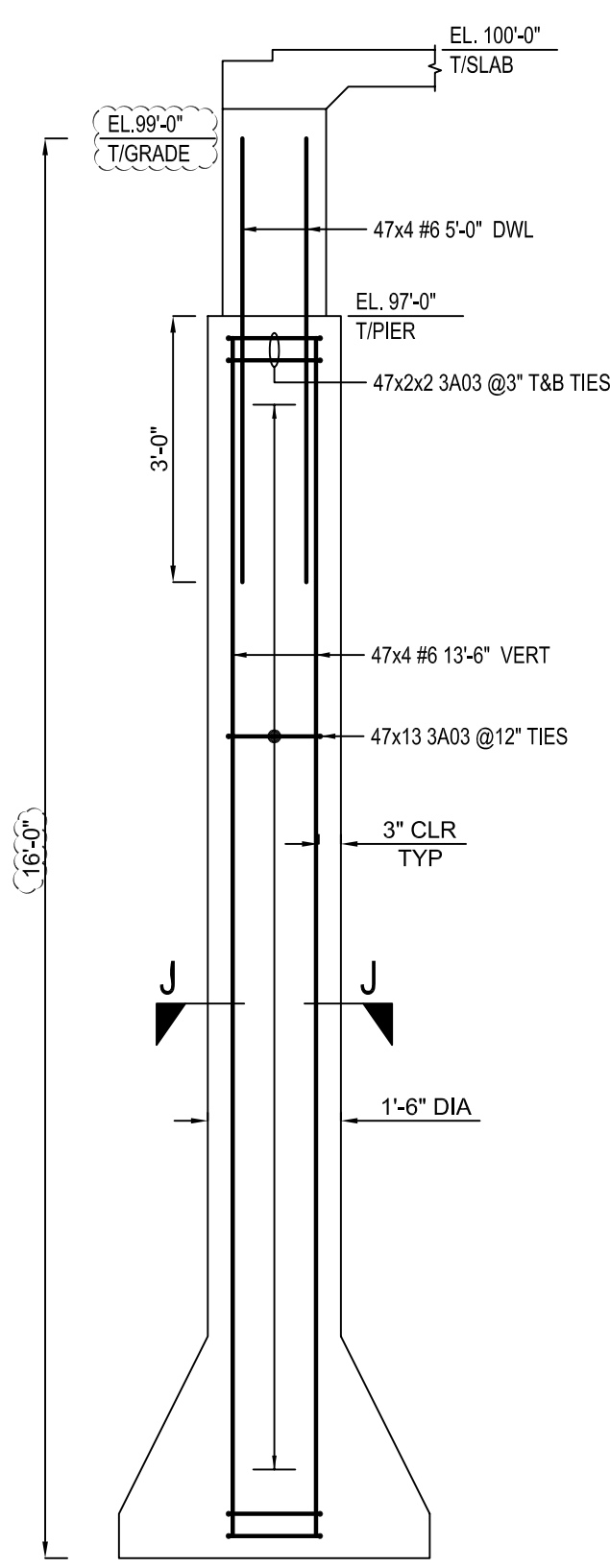
ONCE REBAR SERVICES



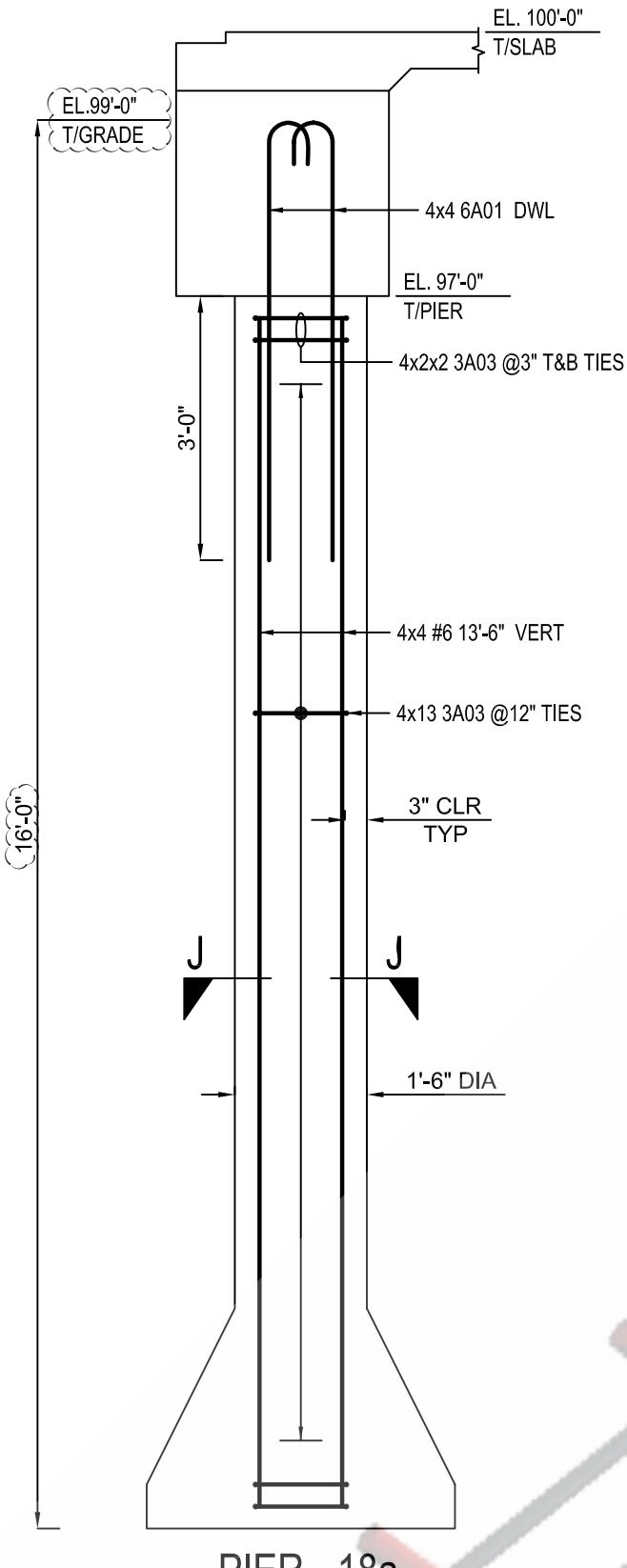
PART-C FOUNDATION REBAR LAYOUT
 SCALE : 1/8"=1'-0"
 SDR : 1/52.3



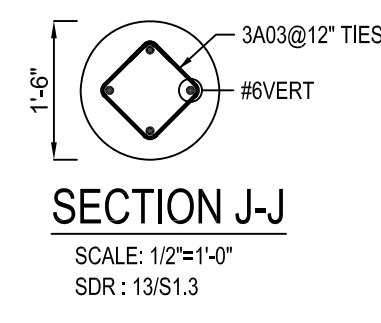
ONCE REBAR SERVICES



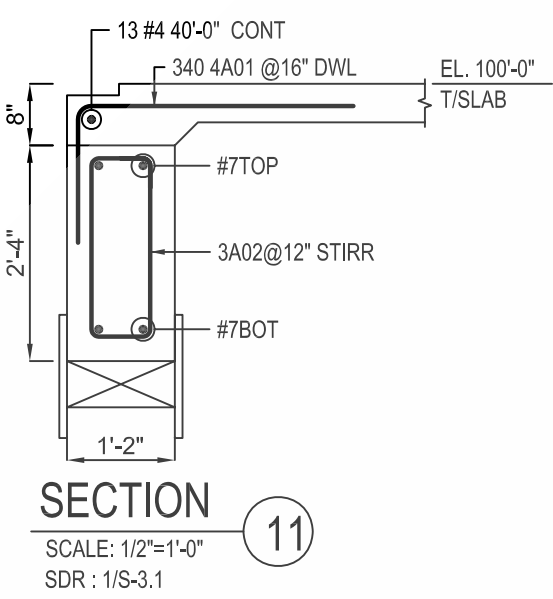
PIER - 18
SCALE: 1/2"=1'-0"
SDR: 13/S1.3
(47 LOC)



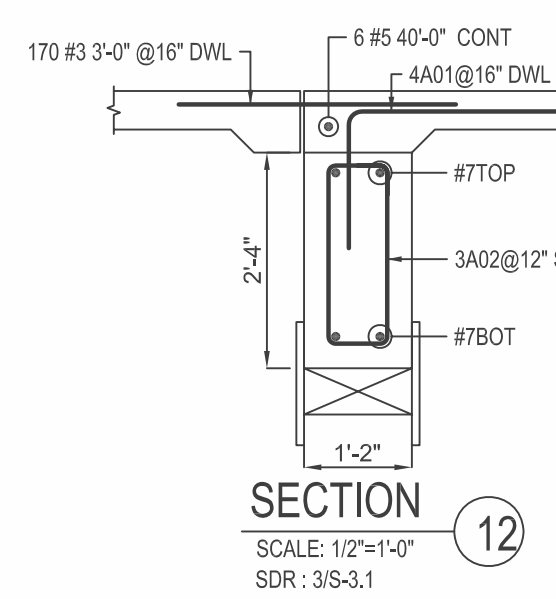
PIER - 18a
SCALE: 1/2"=1'-0"
SDR: 13/S1.3
(4 LOC)



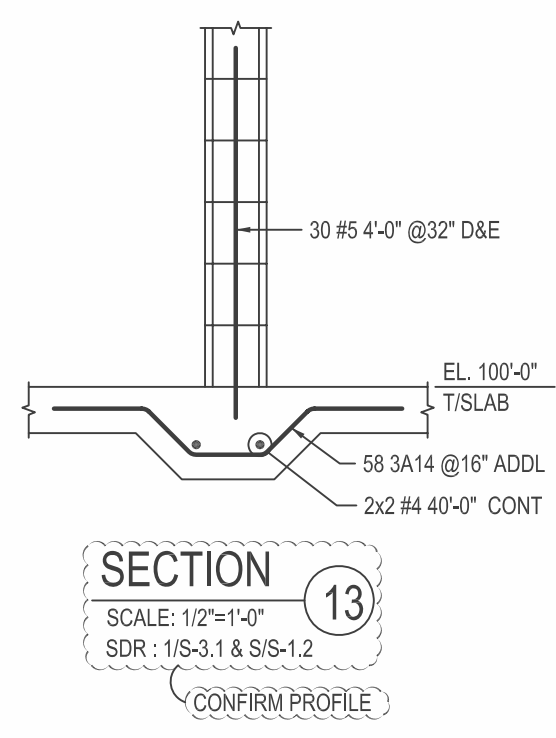
SECTION J-J
SCALE: 1/2"=1'-0"
SDR: 13/S1.3



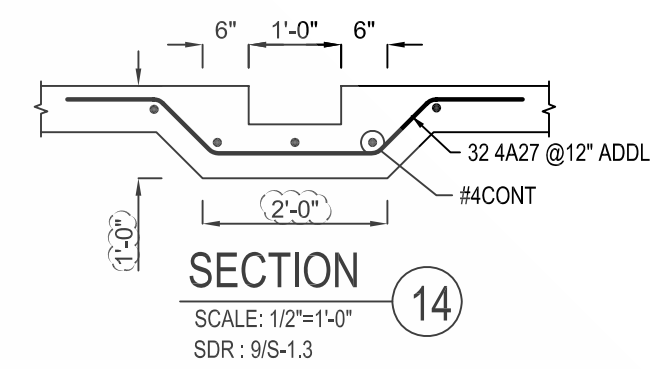
SECTION 11
SCALE: 1/2"=1'-0"
SDR: 1/S-3.1



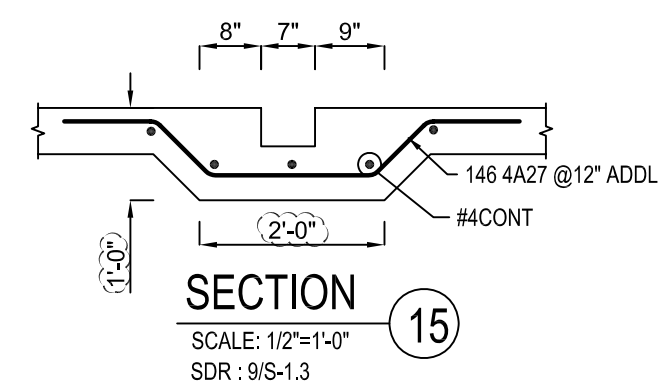
SECTION 12
SCALE: 1/2"=1'-0"
SDR: 3/S-3.1



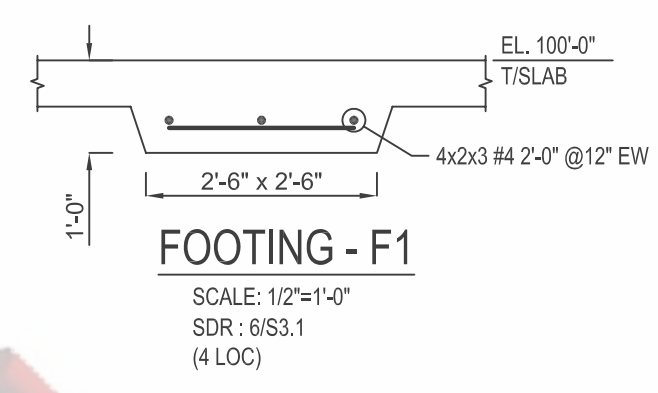
SECTION 13
SCALE: 1/2"=1'-0"
SDR: 1/S-3.1 & S/S-1.2
(CONFIRM PROFILE)



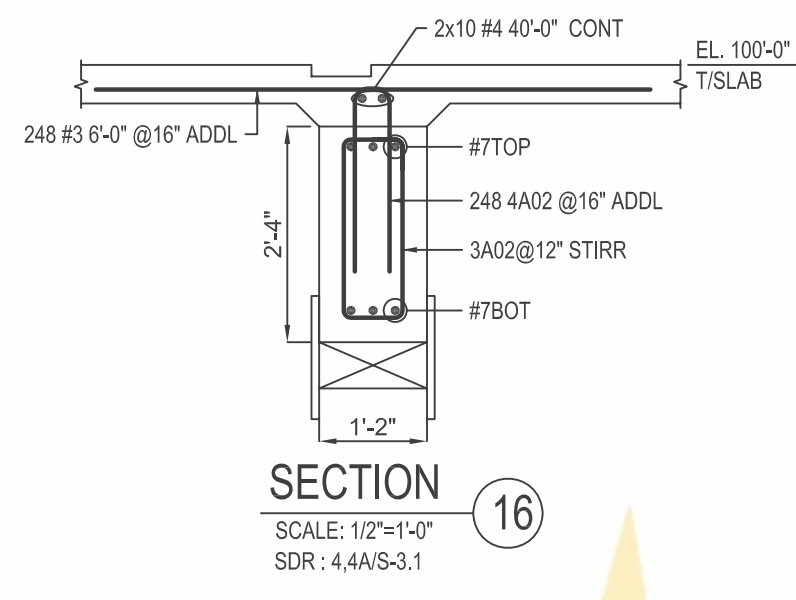
SECTION 14
SCALE: 1/2"=1'-0"
SDR: 9/S-1.3



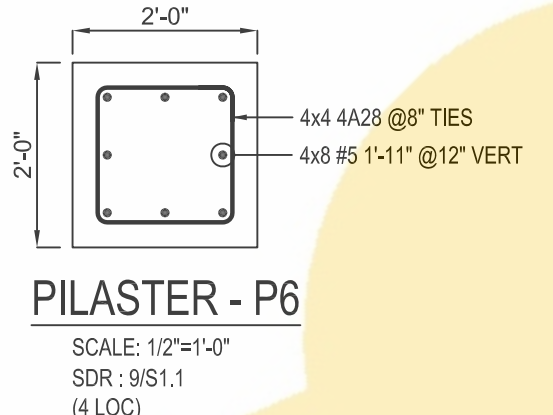
SECTION 15
SCALE: 1/2"=1'-0"
SDR: 9/S-1.3



FOOTING - F1
SCALE: 1/2"=1'-0"
SDR: 6/S3.1
(4 LOC)



SECTION 16
SCALE: 1/2"=1'-0"
SDR: 4.4A/S-3.1

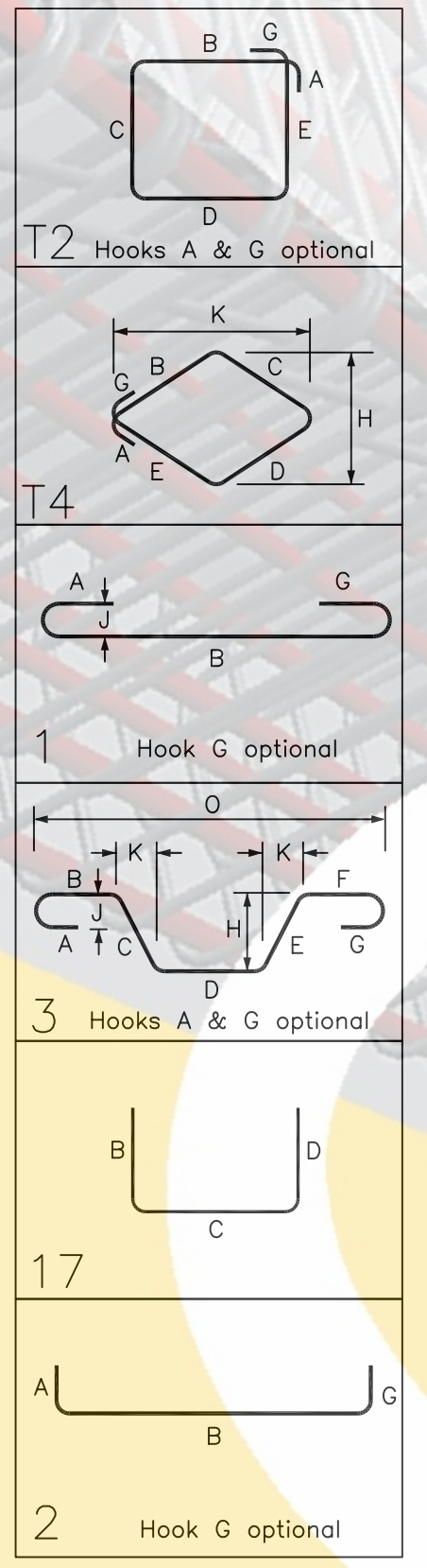


PILASTER - P6
SCALE: 1/2"=1'-0"
SDR: 9/S1.1
(4 LOC)

LAP SCHEDULE	
BAR DIA	3/6 BAR DIA
#3	1'-2"
#4	1'-6"
#5	1'-11"
#6	2'-3"
#7	2'-8"
#8	3'-0"
#9	3'-5"

LAP SCHEDULE	
BAR DIA	3/0 BAR DIA
#3	0'-11"
#4	1'-3"
#5	1'-6"
#6	1'-10"
#7	2'-2"
#8	2'-6"
#9	2'-10"

Release Number: R1.05-R1.06		BENDING DETAILS														
Bar Mark	Qty	Size	Total Length	Type	'a'	'b'	'c'	'd'	'e'	'f'	'g'	'h'	'i'	'j'	'k'	'l'
3A02	738	#3	5'-11"	12	0'-4"	0'-8"	1'-11 1/2"	0'-8"	1'-11 1/2"	0'-4"						
3A03	867	#3	3'-10"	14	0'-4"	0'-9 1/2"	0'-9 1/2"	0'-9 1/2"	0'-9 1/2"	0'-4"	1'-0 3/4"	1'-0 3/4"	0'-9 1/2"			
3A06	8	#3	4'-10"	1	0'-5"	4'-0"								0'-3"		
3A07	8	#3	8'-5"	1	0'-5"	8'-0"								0'-3"		
3A14	58	#3	4'-2 1/2"	3	1'-0"	0'-8 1/2"	0'-9 1/2"	0'-8 1/2"	1'-0"	0'-6 1/2"	0'-5 1/2"	3'-9"				
4A01	340	#4	4'-6"	17		3'-0"	1'-6"									
4A02	248	#4	4'-5"	17		2'-0"	0'-5"	2'-0"								
4A27	178	#4	5'-5 1/2"	3	1'-0"	0'-10"	1'-9 1/2"	0'-10"	1'-0"	0'-7 1/2"	0'-6 1/2"	4'-11"				
4A28	16	#4	6'-9"	12	0'-4 1/2"	1'-6"	1'-6"	1'-6"	1'-6"	0'-4 1/2"						
6A01	16	#6	5'-8"	1	0'-8"	5'-0"						0'-6"				
7A16	7	#7	40'-0"	2	1'-2"	38'-10"										
7A24	18	#7	4'-4"	17		2'-2"	2'-2"									
7A25	2	#7	34'-8"	2	1'-2"	33'-6"										
7A29	2	#7	34'-3"	2	1'-2"	33'-1"										
7A39	2	#7	32'-9"	2	1'-2"	31'-7"										
7A40	2	#7	17'-6"	2	1'-2"	16'-4"										
7A41	13	#7	27'-11"	2	1'-2"	26'-9"										
7A42	8	#7	21'-6"	2	1'-2"	20'-4"										
7A43	4	#7	33'-0"	2	1'-2"	30'-8"				1'-2"						
7A44	2	#7	36'-1"	2	1'-2"	34'-11"										
7A45	2	#7	29'-6"	2	1'-2"	28'-4"										
7A46	3	#7	34'-4"	2	1'-2"	33'-2"				1'-2"						
7A47	6	#7	39'-6"	2	1'-2"	37'-2"										
7A48	3	#7	27'-3"	2	1'-2"	26'-1"										
7A49	3	#7	28'-3"	2	1'-2"	27'-1"										
7A50	3	#7	35'-8"	2	1'-2"	34'-6"										
7A51	3	#7	19'-9"	2	1'-2"	18'-7"										
7A52	6	#7	9'-2"	2	1'-2"	6'-10"				1'-2"						
7A53	3	#7	32'-11"	2	1'-2"	31'-9"										
7A54	3	#7	25'-5"	2	1'-2"	24'-3"										
7A55	3	#7	32'-7"	2	1'-2"	31'-5"										
7A56	6	#7	34'-8"	2	1'-2"	32'-4"				1'-2"						
7A57	6	#7	11'-4"	2	1'-2"	9'-0"				1'-2"						
7A58	4	#7	33'-3"	2	1'-2"	30'-11"				1'-2"						
7A59	2	#7	26'-11"	2	1'-2"	25'-9"										
7A60	2	#7	36'-2"	2	1'-2"	35'-0"										
7A61	2	#7	16'-7"	2	1'-2"	15'-5"										



ONCE REBAR SERVICES